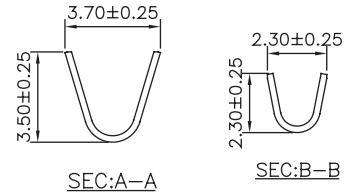
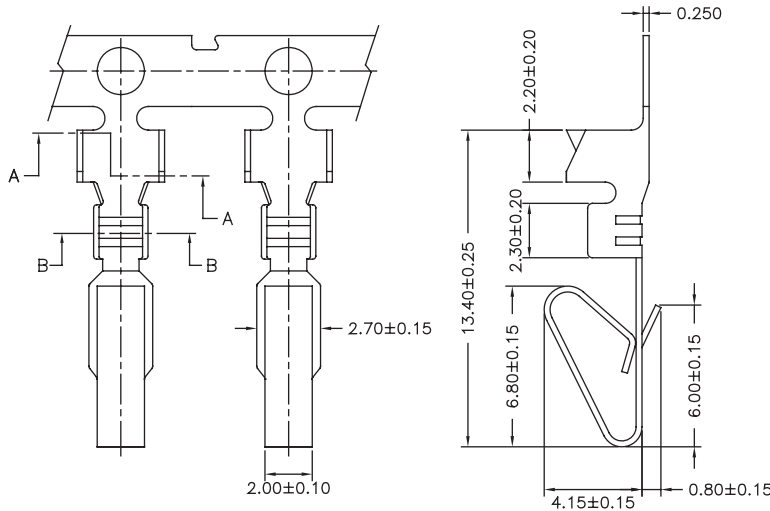


5.08mm TERMINAL / HOUSING



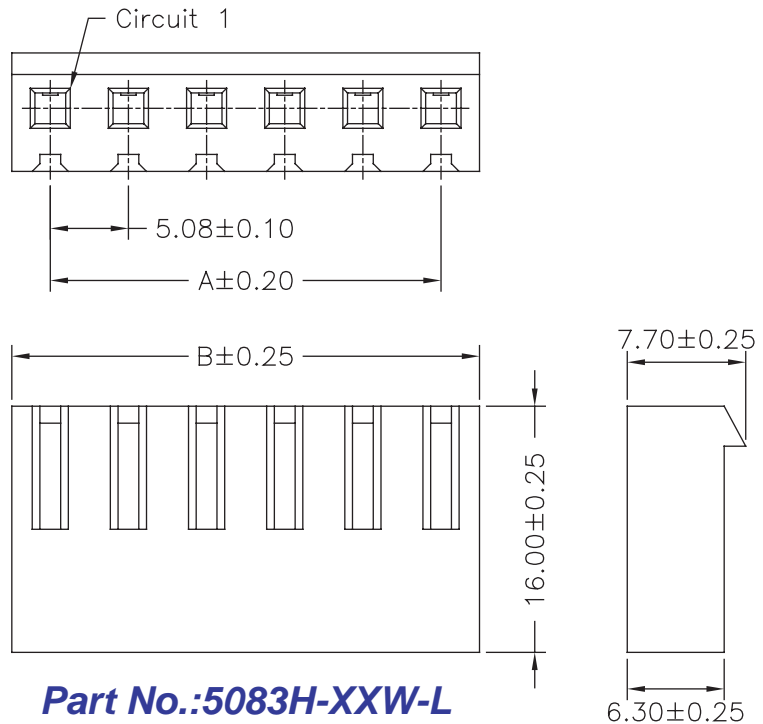
Part No.:3961-T-L

| Wire Range | Insulation O.D. | Material | Finish | Qty/reel |
|------------|-----------------|----------|------------|----------|
| AWG#18-#24 | 2.80mm(max) | Brass | Tin-plated | 6,000pcs |

SPECIFICATIONS

Current Rating: 7A AC,DC
 Voltage Rating: 250V AC,DC
 Temperature Range: -25°C ~ +85°C
 Contact Resistance: 10mΩ Max
 Insulation Resistance: 1000MΩ Min
 Withstanding Voltage: 1500V AC/minute
 Material: Nylon 66,UL94V-2
 Color: Natural(Translucent)

| PART NO. | Dimensions | |
|-------------|------------|--------|
| | A | B |
| 5083H-02W-L | 5.08 | 10.08 |
| 5083H-03W-L | 10.16 | 15.16 |
| 5083H-04W-L | 15.24 | 20.24 |
| 5083H-05W-L | 20.32 | 25.32 |
| 5083H-06W-L | 25.40 | 30.40 |
| 5083H-07W-L | 30.48 | 35.48 |
| 5083H-08W-L | 35.56 | 40.56 |
| 5083H-09W-L | 40.64 | 45.64 |
| 5083H-10W-L | 45.72 | 50.72 |
| 5083H-11W-L | 50.80 | 55.80 |
| 5083H-12W-L | 55.88 | 60.88 |
| 5083H-13W-L | 60.96 | 65.96 |
| 5083H-14W-L | 66.04 | 71.04 |
| 5083H-15W-L | 71.12 | 76.12 |
| 5083H-16W-L | 76.20 | 81.20 |
| 5083H-17W-L | 81.28 | 86.28 |
| 5083H-18W-L | 86.36 | 91.36 |
| 5083H-19W-L | 91.44 | 96.44 |
| 5083H-20W-L | 96.52 | 101.52 |



Part No.:5083H-XXW-L

Housing Wafer Terminal

